

EXPRESSIONS

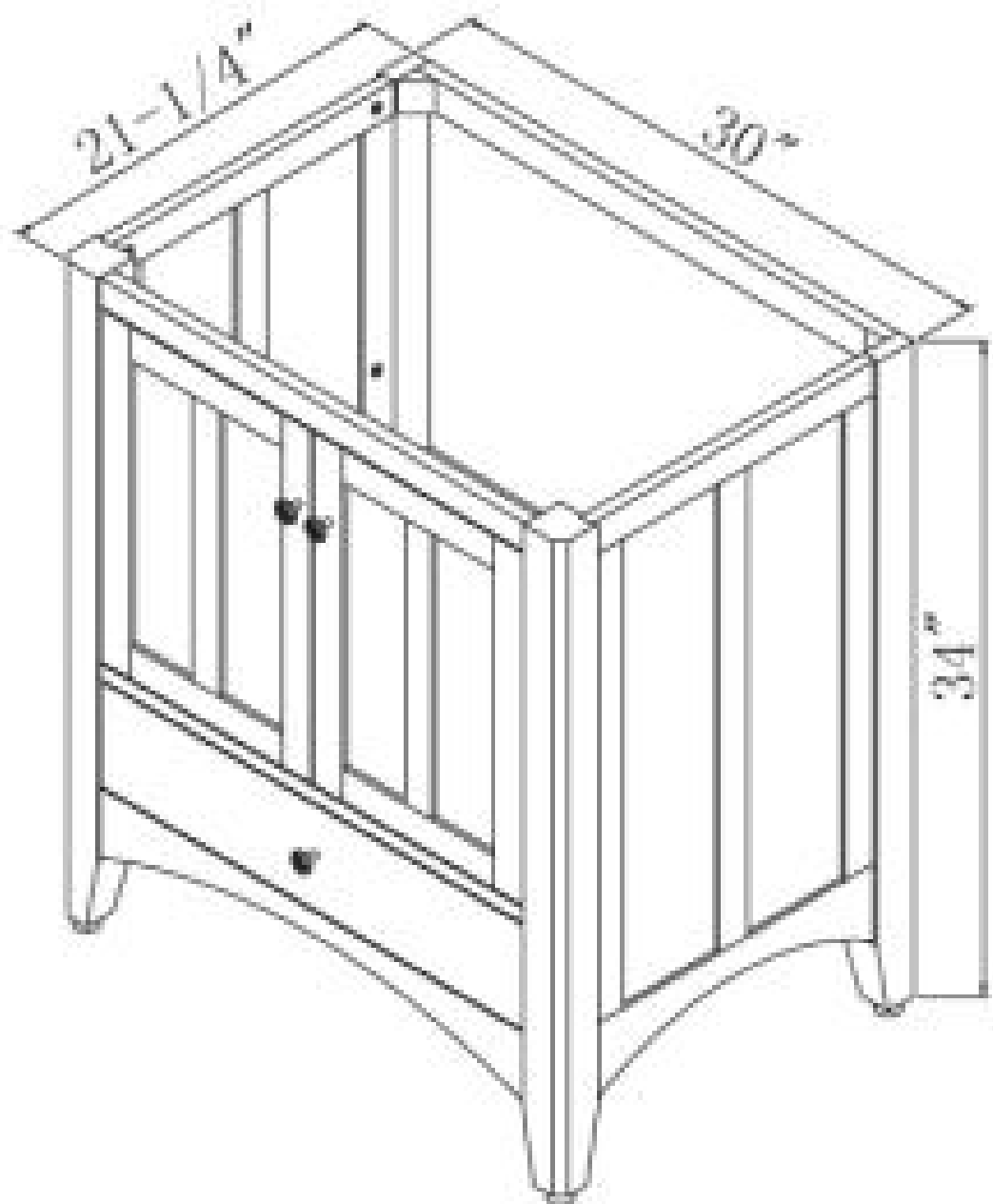


EXPRESSIONS Collection

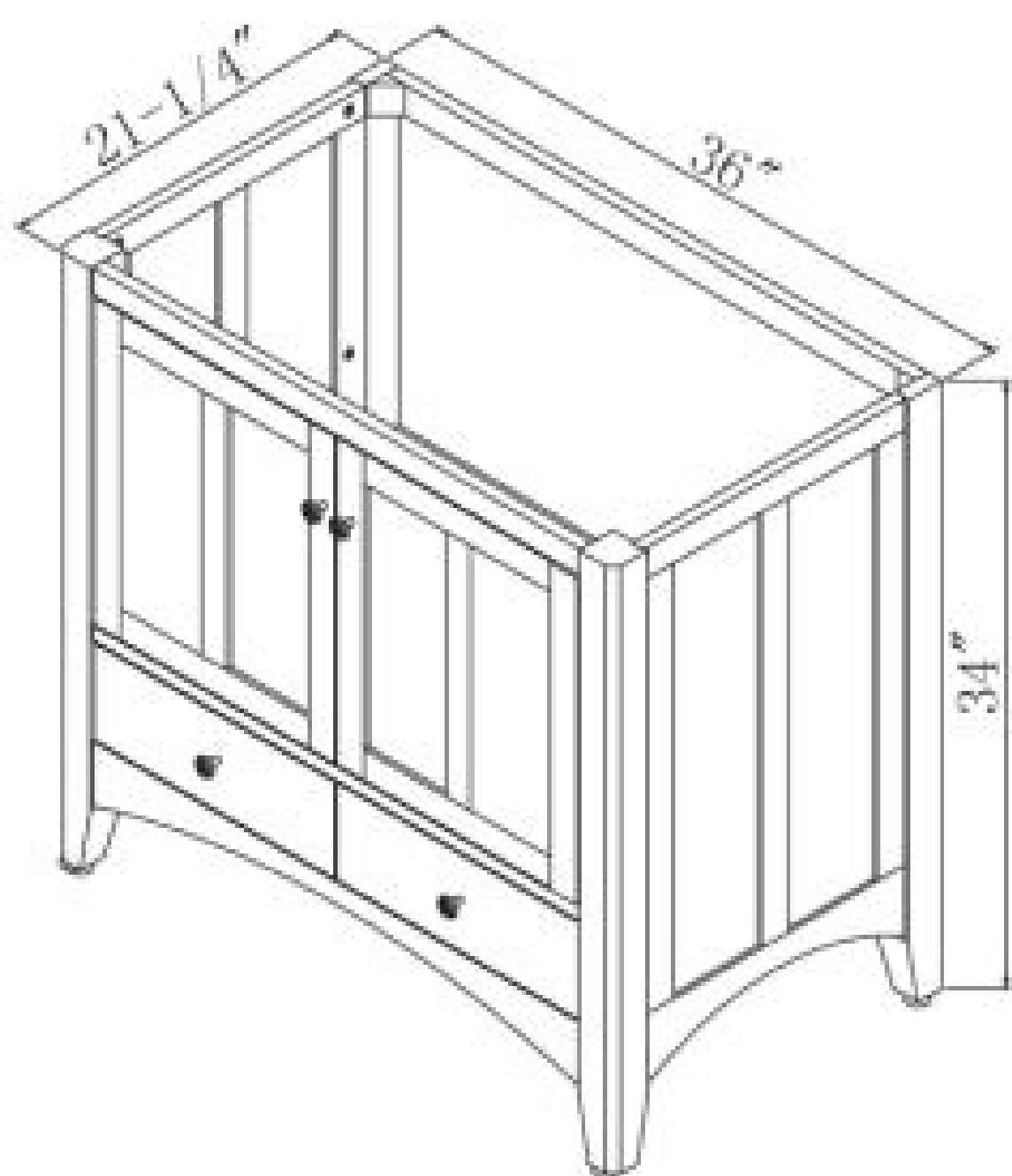
BUILT-TO-LAST FEATURES:

Ready to assemble vanities, warm heirloom finish, arched base with adjustable levelers, full face frame construction, inset doors and drawer fronts, dual side mount drawer slides.

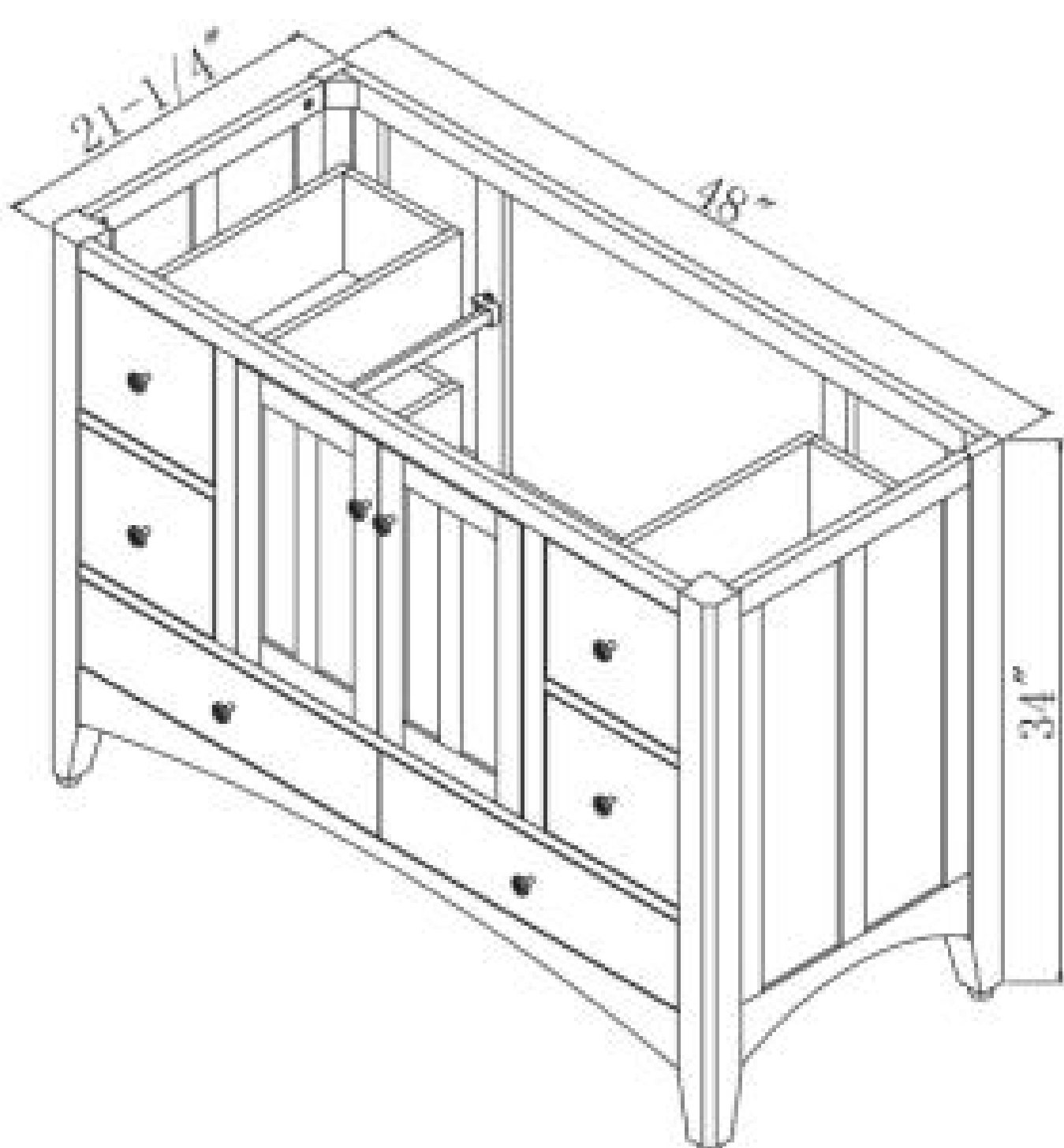
VANITY BASES



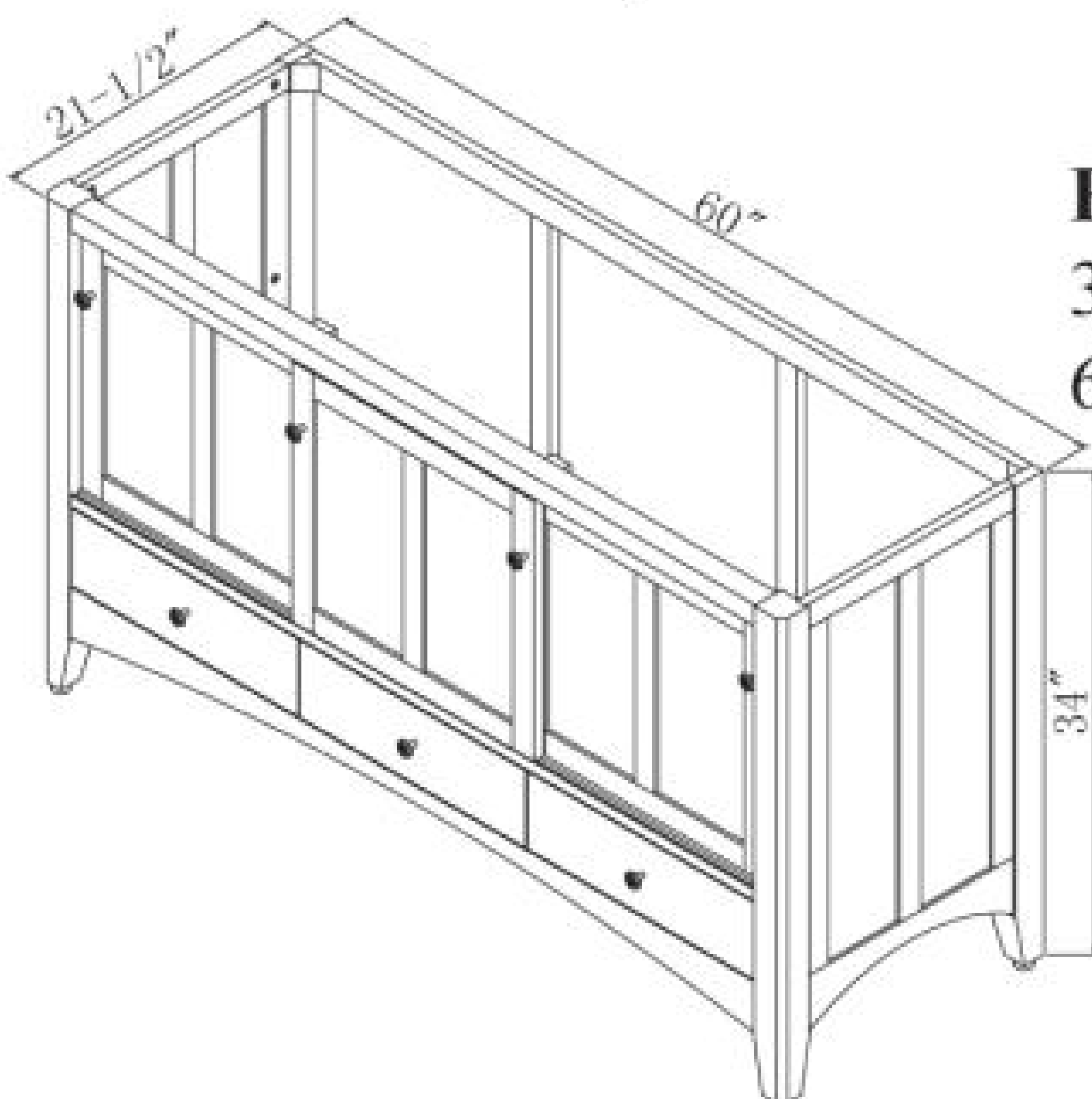
EP3021D
2 Doors, 1 Bottom Drawer
30"W x 21 1/4"D x 34"H



EP3621D
2 Doors, 2 Bottom Drawers
36"W x 21 1/4"D x 34"H

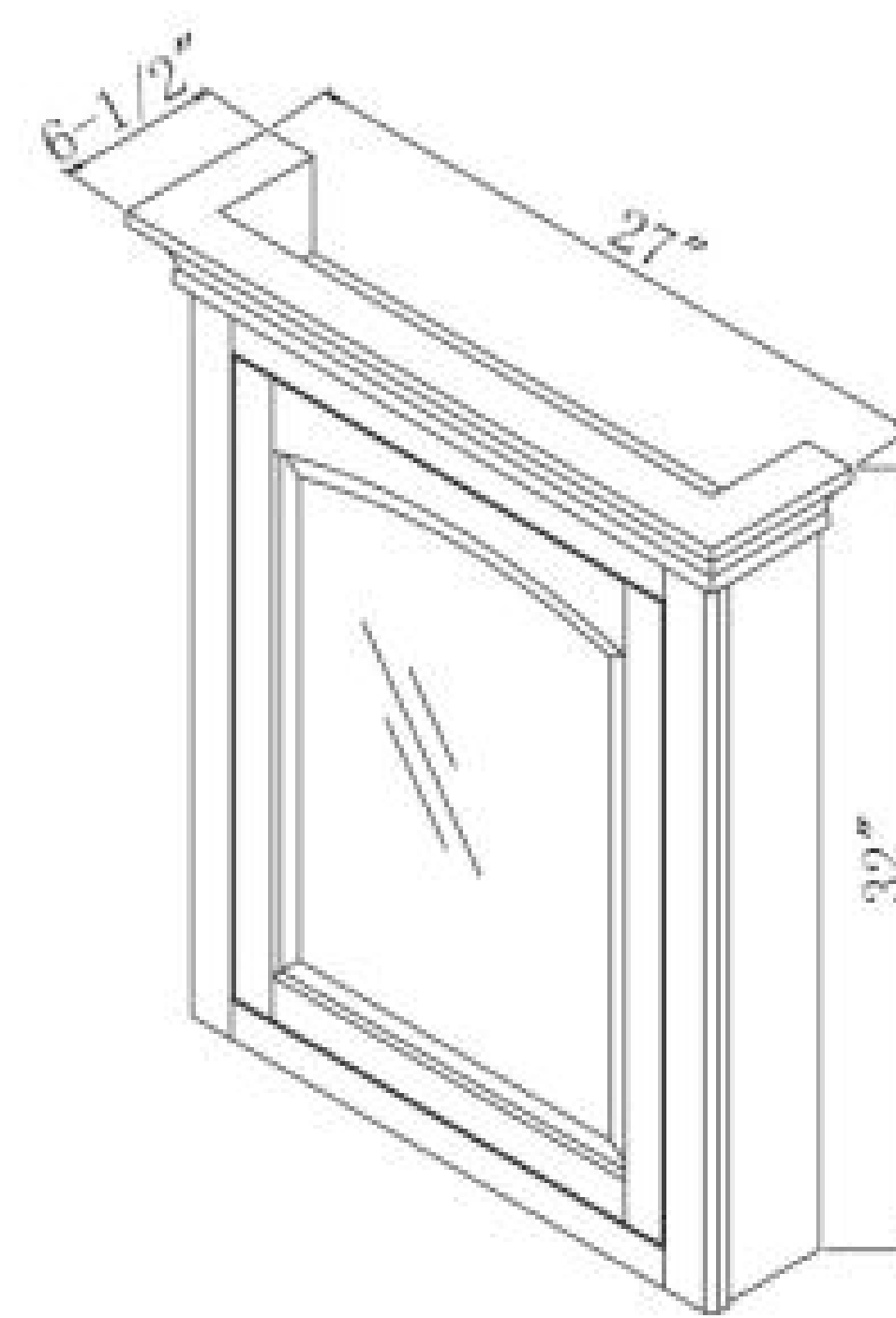


EP4821D
2 Doors, 4 Small Drawers,
2 Bottom Drawers
48"W x 21 1/4"D x 34"H



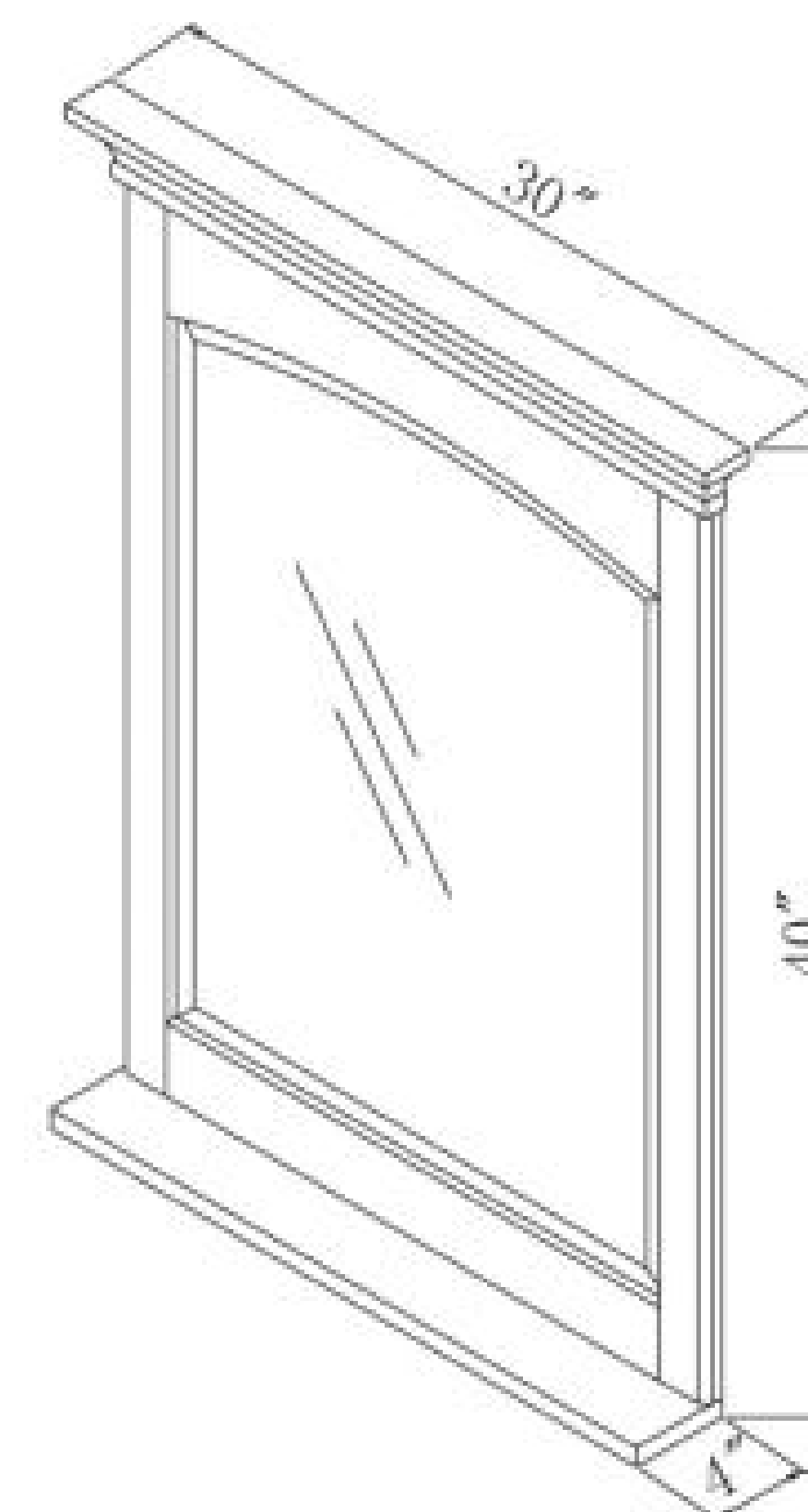
EP6021D
3 Doors, 3 Bottom Drawers
60"W x 21 1/2"D x 34"H

MEDICINE CABINET

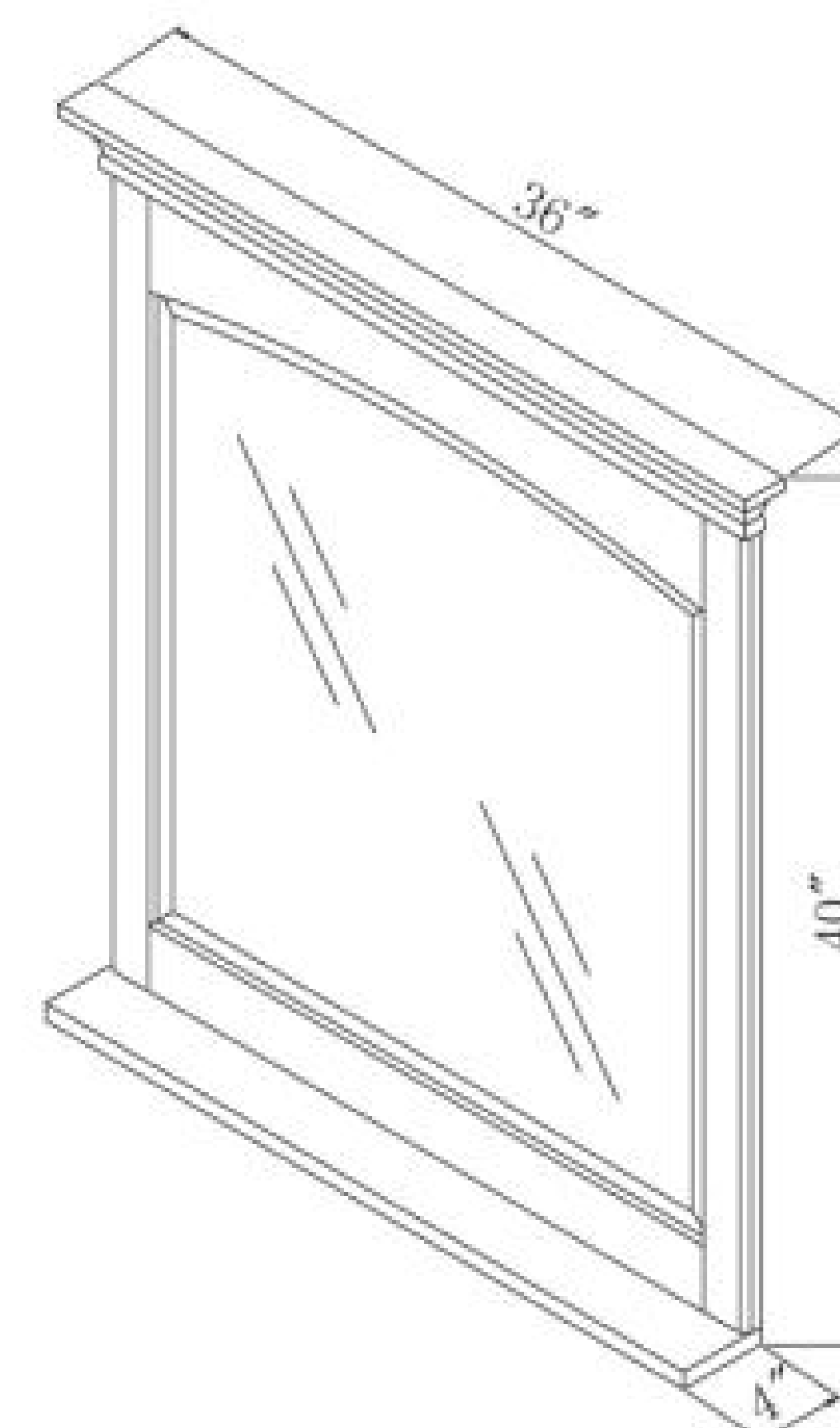


EP2732M
Single Medicine Cabinet
27"W x 32"H x 6 1/2"D

MIRRORS



EP3040MR
Mirror
30"W x 40"H x 4"D



EP3640MR
Mirror
36"W x 40"H x 4"D

SUNNY WOOD PRODUCTS COMPANY, INC.

14108 Artesia Blvd. Cerritos, CA 90703
Order Desk/Customer Service: (800) 888-6533
General Business: (562) 926-6533
FAX: (562) 926-0561

